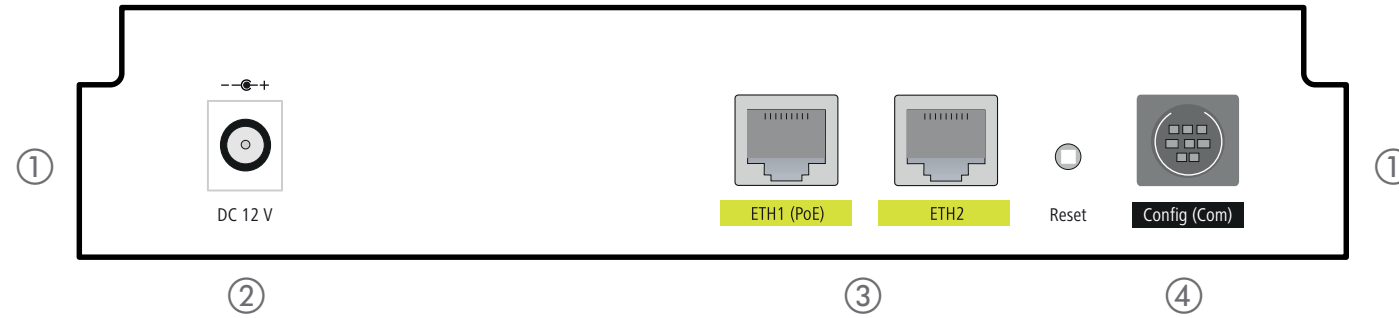


LANCOM LN-1700 LANCOM LN-1702 Quick Reference Guide



LANCOM
Systems

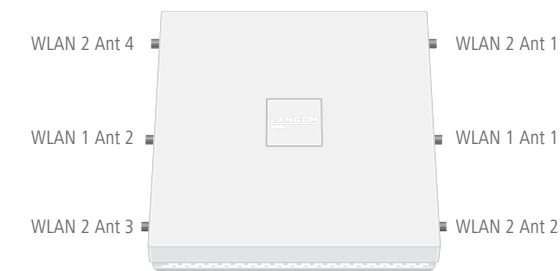


1 Wi-Fi antennas (only LN-1702)
Screw the two supplied Wi-Fi antennas onto the connectors WLAN 1 Ant 1 / Ant 2 and WLAN 2 Ant 1 to Ant 4. The desired MIMO behaviour can be configured under
> Physical WLAN Settings
> Radio
> Antenna grouping

2 Power
After connecting the cable to the device, turn the connector 90° clockwise to prevent it from accidental unplugging. Use only the supplied power adapter.

3 Ethernet interface
Use the cable with the Ethernet connectors to connect interface ETH1 (PoE) or ETH2 to your PC or a LAN switch.

4 Serial interface
You can optionally configure the device by connecting it to a PC with a configuration cable (separately available).

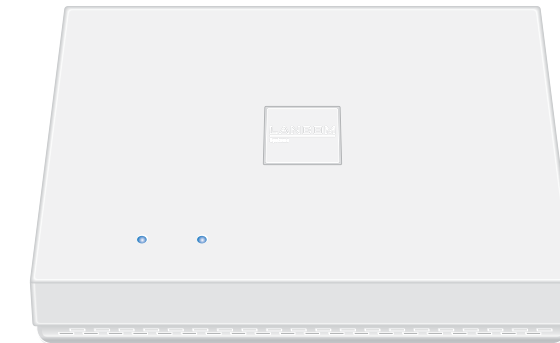


Please observe the following when setting up the device

- > For devices to be operated on the desktop, please attach the adhesive rubber footpads
- > Do not rest any objects on top of the device
- > Keep the ventilation slots on the side of the device clear of obstruction
- > Lockable wall and ceiling mounting with the LANCOM Wall Mount (LN) (available as an accessory)

! Please note that when operating both Wi-Fi modules in the same frequency band, mutual interference cannot be ruled out

MOUNTING AND CONNECTING THE DEVICE



1 Power	
Off	Device switched off
Green, permanently*	Device operational, resp. device paired / claimed and LANCOM Management Cloud (LMC) accessible.
Orange, permanently	No adequate PoE-power supply via 802.3af, operation of the second Wi-Fi interface not possible
Red / green, blinking	Configuration password not set. Without a configuration password, the configuration data in the device is unprotected.
Orange / green, blinking alternately with the WLAN link LED	At least one Wi-Fi module is in managed mode and has not found a WLAN controller yet. The corresponding Wi-Fi module(s) is/are switched off until a WLAN controller has been found to supply a configuration, or until being switched manually into another operating mode.
Orange / red, blinking alternately with the WLAN link LED	At least one Wi-Fi module is in managed mode and has found a WLAN controller. However, the WLAN controller cannot assign a configuration because the firmware and/or the device's loader version is not compatible with the WLAN controller.
1x green inverse blinking*	Connection to the LMC active, pairing OK, claiming error.
2x green inverse blinking*	Pairing error, resp. LMC activation code / PSK not available.
3x green inverse blinking*	LMC not accessible, resp. communication error.

*) The additional power LED statuses are displayed in 5-seconds rotation if the device is configured to be managed by the LANCOM Management Cloud.

2 WLAN link	
Off	No Wi-Fi network defined or Wi-Fi module deactivated. The Wi-Fi module is not transmitting beacons.
Green, permanently	At least one Wi-Fi network defined and Wi-Fi module activated. The Wi-Fi module is transmitting beacons.
Green, inverse flashing	Number of flashes = number of connected Wi-Fi stations and P2P wireless connections, followed by a pause (default). Alternatively the flashing frequency can indicate signal strength over the defined P2P link or the signal strength between the access point and the device operating in client mode.
Green, blinking	DFS scanning or other scan procedure
Red, blinking	Wi-Fi module hardware error

Hardware	
Power supply	12 V DC, external power adapter (110 V or 230 V) with bayonet connector to secure against disconnection or PoE based on 802.3at via ETH1
Power consumption	Approx. 21 W via 12 V / 2 A power adapter (value refers to the total power consumption of access point and power adapter), Approx. 19.4 W via PoE (value solely refers to the power consumption of the access point)
Environment	Temperature range 0–45 °C (vertical wall mount with LANCOM Wall Mount (LN)), 0–37 °C (horizontal ceiling mount with LANCOM Wall Mount (LN)) Access point overheating is avoided by automatic throttling of the Wi-Fi modules Humidity 0–95 %; non-condensing
Housing	Robust synthetic housing, rear connectors, ready for wall and ceiling mounting; measures 205 x 42 x 205 mm (W x H x D)
Number of fans	None; fanless design, no rotating parts, high MTBF
Wi-Fi	
Frequency band	2400–2483.5 MHz (ISM) or 5180–5700 MHz (restrictions vary between countries)
Radio channels 2.4 GHz	Up to 13 channels, max. 3 non-overlapping (2.4 GHz band)
Radio channels 5 GHz	Up to 19 non-overlapping channels (automatic dynamic channel selection required)
Interfaces	
ETH1 (PoE)	10 / 100 / 1000 Base-TX, autosensing, auto node hub, line bundling via LACP, PoE adapter compliant to IEEE 802.3at required
ETH2	10 / 100 / 1000 Base-TX, autosensing, auto node hub, line bundling via LACP
Serial interface	Serial configuration interface / COM-port (8-pin mini-DIN): 9,600 - 115,000 baud
Declaration of conformity	
Hereby, LANCOM Systems declares that this radio equipment is in compliance with Directive 2014/53/EU. The full text of the EU declaration of conformity is available at the following internet address: www.lancom-systems.com/ce/	
Package content	
Manual	Installation Guide (DE / EN), Quick Reference Guide (DE / EN)
Antennas (only LN-1702)	Six 3dBi dipole dual-band antennas
Cable	Ethernet cable, 3 m
Power adapter	External power adapter, NEST 12 V / 1.5 A DCS, barrel connector 2.1 / 5.5 mm bayonet, LANCOM item no. 111507 (EU, 230 V); LANCOM item no. 111302 (UK, 230 V)