



. . . connecting your business

LANCOM Systems

LCOS 8.62 Feature Notes
May 2012

LCOS 8.62
[LANCOM OPERATING SYSTEM]

LANCOM
Systems

LCOS and LCMS 8.62

Introduction



The LANCOM operating system LCOS and the corresponding management tools (LCMS) **regularly provide free new functions** to current LANCOM routers, access points, and gateways.

LCOS 8.62 provides **mobile VPN connections, flexible WLAN structures, and increased usability.**

Read on for more of the most important features and improvements summarized in brief.



The main new features



Support of LANCOM myVPN

Easy mobile VPN configuration! In just a few steps the LANCOM myVPN app configures your iOS device for a secure IPsec VPN connection to a LANCOM router.



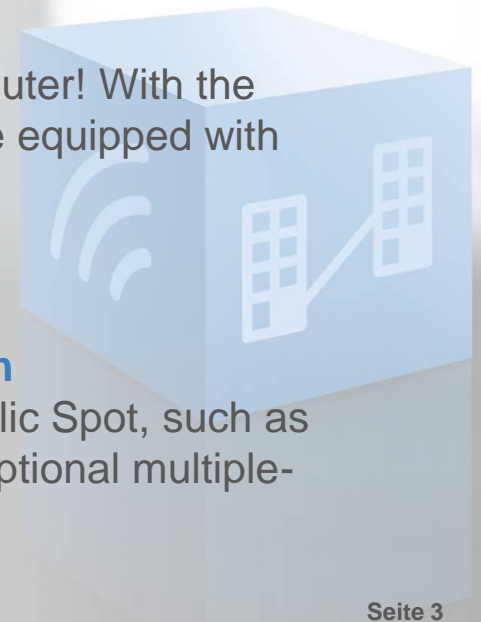
Support of WLC-6 option for LANCOM routers

Manage up to 6 access points with your LANCOM router! With the WLC-6 option for routers many LANCOM routers are equipped with WLAN controller functionality.



Improvements of the LANCOM Public Spot option

Numerous detail improvements of the LANCOM Public Spot, such as status information in the user management and an optional multiple-login in the Public Spot wizard.



LANCOM myVPN

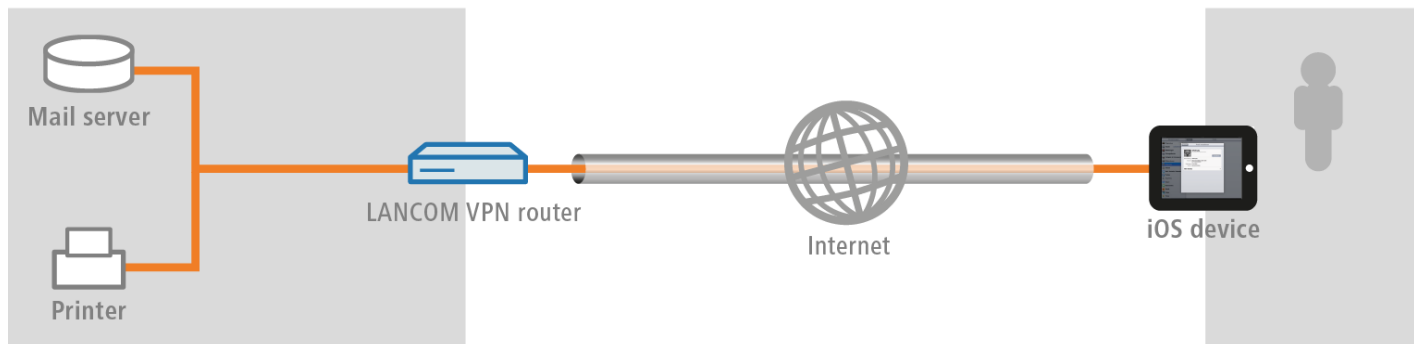
Easy VPN tunnel configuration

- VPN profile configuration via **easy PIN entry**
- For all iOS devices as of iOS version 4.0
- Available for all LANCOM VPN routers
- PIN-protected tunnel establishment
- Available via the Apple AppStore



Headquarters

Hotel

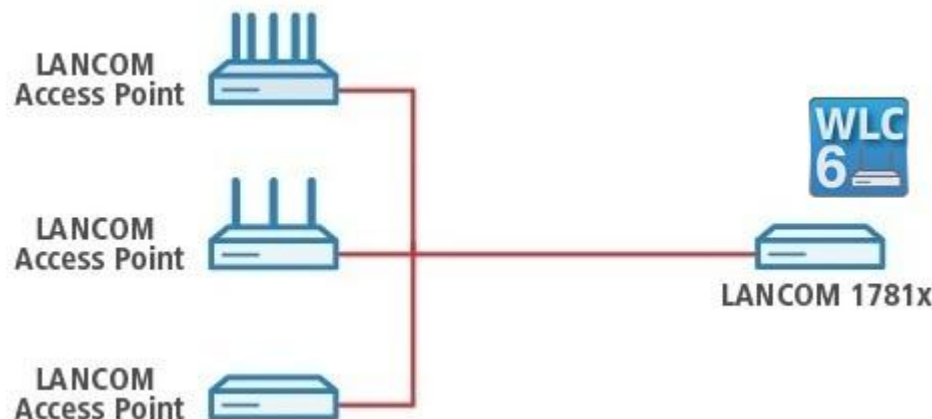


The WLC-6 option for routers

Manage up to 6 access points with your router!



- Central management for **up to 6** LANCOM access points and WLAN routers
- Available for **1781EF, 1781-4G, 1781A, and 1781A-3G**
- Central firmware distribution and management
- Automatic authentication, configuration, and channel allocation
- Monitoring and maintenance of encryption and QoS policies



LANCOM Public Spot option

Status information in the user management



■ **Additional status information** in the user management for:

- Online time
- Traffic
- Status
- MAC address
- IP address

■ Information can optionally be hidden

Online-Time	Traffic (Rx/Tx Kbyte)	State	MAC-Address	IP-Address
35	58/1967	Authenticated	70:de:e2:10:19:33	192.168.101.168

192.168.100.1 - Manage Public Spot Account

Show 10 entries per page

Page	User-Name	Password	Comment	Expiry-Type	Abs.-Expiry	Rel.-Expiry	Time-Budget	Volume-Budget	Online-Time	Traffic (Rx/Tx Kbyte)	State	MAC-Address	IP-Address
All	user21090	swk2x_	pubSpUser created by root on 05/23/2012 10:48:28 ()	Absolute and Relative	05/23/2013 10:48:28	3600	0	0	35	58/1967	Authenticated	70:de:e2:10:19:33	192.168.101.168
	user52779	6mcgpb	pubSpUser created by root on 05/23/2012 10:48:28 ()	Absolute and Relative	05/23/2013 10:48:28	3600	0	0	930	1085/29929	Authenticated	00:24:d7:9f:10:18	192.168.101.61
	user51875	tkmym	pubSpUser created by root on 05/23/2012 10:48:28 ()	Absolute and Relative	05/23/2013 10:48:28	3600	0	0	240	405/16107	Authenticated	00:19:db:78:18:56	192.168.101.39

LANCOM Public Spot option

Optional multiple-login

- In the setup wizard of the LANCOM Public Spot option a **multiple-login can be activated**
- This enables a voucher to be used with multiple devices simultaneously



192.168.100.1 - Create Public Spot Account

LANCOM
Systems
... connecting your business

Starting time for account: first login

Validity period: voucher expires after: 365 days (max. 10 characters)

Duration: 1 Hour(s)

SSID (Network Name): LANCOM_PUBLIC_SPOT

Number of vouchers: 1 (possible values: 1 - 100) (required)

Time budget (minutes): Multiple-Login 0 (possible values: 0 - 100000)

Volume budget (MByte): 0 (possible values: 0 - 500000)

Comment (optional):

Print comment on voucher

Print

Multiple-Login

Save and CSV-Export Save and Print Back to Main-Page

We wish you every success with your LANCOM product and the new LCOS!

We look forward to your **praise and criticism, suggestions or questions:**

myLANCOM@lancom.eu

The latest information about service and support can be found on our support flyer, our Internet site or from our **Knowledge Base**.

If the manual and our latest support topics on the Internet do not resolve your issue, then feel free to contact our **support hotline** in Germany from Monday to Friday between 9:00 AM and 5: PM (CET)

+49 900-1-LANCOM (= +49 900-1-526266)

Your LANCOM Systems team

NETWORK
CONNECTIVITY
WIRELESS LAN

